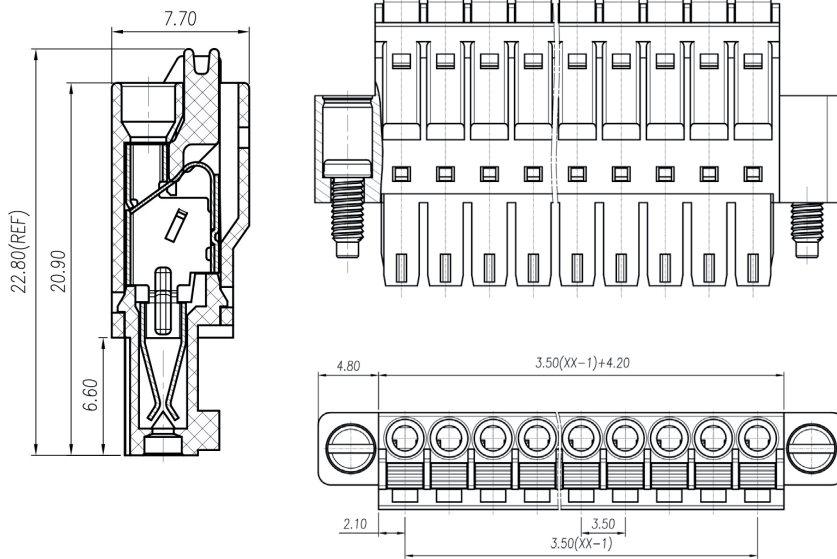


# PCB Terminal Blocks

## Low Profile Narrow Connector, Top Wire Entry with Screw Lock

### ASIWJ15EDGKMN-3.5



Certification	
	<b>UL</b> <sup>®</sup> <b>CS</b>
Material	
Lock Screw	M2.5 Steel, Tin Plated
Pin/Plate	Phosphor Bronze, Nickel Plated
Spring	Stainless Steel
Housing	PA66, UL 94V-0, Green
Electrical	
Standard	UL 1059/CSA C22.2 No. 158
Rated Voltage	300 V
Rated Current	8 A
Wire Range	24-16 AWG
Contact Resistance	20mΩ
Insulation Resistance	500MΩ/500 Vdc
Withstand Voltage	2000 Vac/1 Min
Mechanical	
Temperature Range	-40°C...+105°C
Strip Length	9-10 mm (0.35-0.39")
Size	
Pitch	3.5 mm (.138")
Poles	2P-16P. Additional sizes available on request.

Item	No. of Poles	Length (mm)
ASIWJ15EDGKMN-3.5-2P	2	17.3
ASIWJ15EDGKMN-3.5-3P	3	20.8
ASIWJ15EDGKMN-3.5-4P	4	24.3
ASIWJ15EDGKMN-3.5-5P	5	27.8
ASIWJ15EDGKMN-3.5-6P	6	31.3
ASIWJ15EDGKMN-3.5-7P	7	34.8
ASIWJ15EDGKMN-3.5-8P	8	38.3
ASIWJ15EDGKMN-3.5-9P	9	41.8
ASIWJ15EDGKMN-3.5-10P	10	45.3
ASIWJ15EDGKMN-3.5-11P	11	48.8
ASIWJ15EDGKMN-3.5-12P	12	52.3
ASIWJ15EDGKMN-3.5-13P	13	55.8
ASIWJ15EDGKMN-3.5-14P	14	59.3
ASIWJ15EDGKMN-3.5-15P	15	62.8
ASIWJ15EDGKMN-3.5-16P	16	66.3